



PPC-P8-8080

8 inch All In One Fanless ip65 waterproof all in one touch industrial Panel pc

Feature:

SUPPORT WINDOWS/LINUX OPERATING SYSTEMS

On-board J1900/J4125/ 4/6/7/8/10th generation Core i3/i5/i7

Support 4G/5G Internet access function to meet communication requirements (separate module required)

Support Wifi, Bluetooth communication module (need to add a separate module if need these fundtion)

DC:12V-36V power input

Specification:

PPC-P8-8080

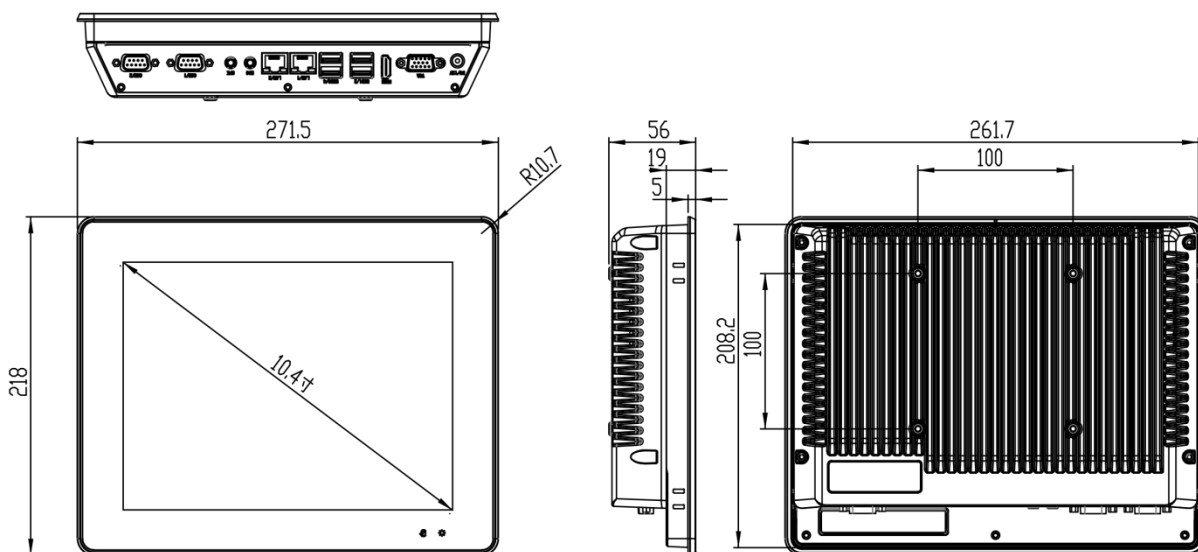
		PPC-P8-8080	
CPU	Intel	J1900/J4125/ 4/6/7/8/10th generation Core i3/i5/i7	
RAM	TYPE	DDR3/DDR4	
OS	WINDOWS/LINUX	WINDOWS/LINUX	
STORAGE	MSATA	1*MSATA/1*SATA	
I/O	USB	4*USB	
	LAN	2*intel	
	CONSOLE PORT	6*RS232 (2*RS*422/485 optional)	
	Audio	RTLALC662 Audio controller, LINE-out port	
	Expansion card slot	Multi-funtional slot	
LCD	Displav screen	8" TFT LED	
	Resolution	800*600	
	Brightness	350cd/m2	
	Contrast	800:1	
	Maximum color	16M	
	Type	Capacitive	Resistive
Touch	Light transmittance	Above 95%	Above 85%
	Click Life	50 million times	35 million times
	Response time	<5ms	
Screen	High temperature test	85°C/1000hrs	
	Constant temperature and	85°C/90%RH/1000hrs	
	humidity test		
	Panel cabinet	The casing is molded by aluminum alloy mold	
Structural parameters	Power input	DC:12V-36V power input	
	Overall dimensions	224mm*203mm*54mm	
	Installation method	The panel is flush-embedded and VESA	

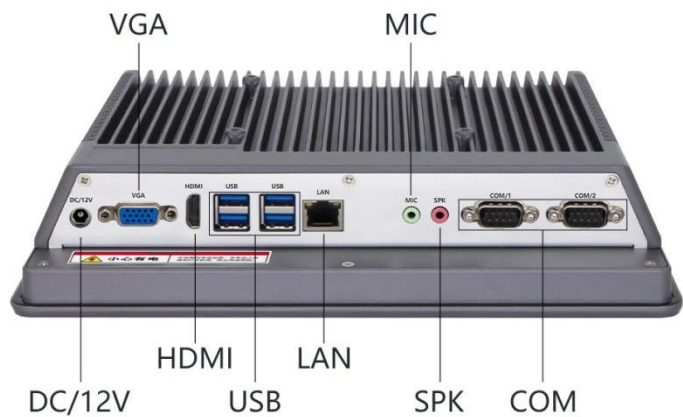
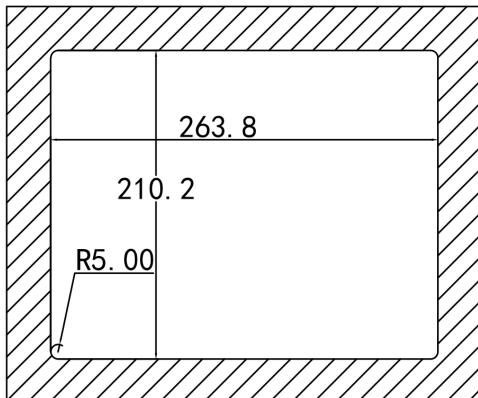
	Power	20W
	Weight	1.5kg
	Operating temperature	-20 ~ 60°C (Electronic disk)
Environment	Storage temperature	-30 ~ 80°C
parameters	Correlated humidity	10 ~ 95%@40°C (Non-condensing)
	Front panel protection	IP65 standard

Ordering Information

MODEL	SPECIFICATION
PPC-P8-080/J1900	J1900/2*LAN/4*USB/6*RS232 (2*422/485 optional) /12-36V
PPC-P8-080/J4125	J6412/2*LAN/4*USB/6*RS232 (2*422/485 optional) /12-36V
PPC-P8-080/I3-4010U	I3-4010U/2*LAN/4*USB/6*RS232 (2*422/485 optional) /12-36V
PPC-P8-080/I5-4260U	I5-4260U/2*LAN/4*USB/6*RS232 (2*422/485 optional) /12-36V
PPC-P8-080/I7-4650U	I5-4650U/2*LAN/4*USB/6*RS232 (2*422/485 optional) /12-36V
PPC-P8-080/I3-7100U	I3-7100U/2*LAN/4*USB/6*RS232 (2*422/485 optional) /12-36V
PPC-P8-080/I5-6200U	I5-6200U/2*LAN/4*USB/6*RS232 (2*422/485 optional) /12-36V
PPC-P8-080/I7-7500U	I7-7500U/2*LAN/4*USB/6*RS232 (2*422/485 optional) /12-36V
PPC-P8-080/I5-8260U	I5-8260U/2*LAN/4*USB/6*RS232 (2*422/485 optional) /12-36V
PPC-P8-080/I5-10210U	I5-10210U/2*LAN/4*USB/6*RS232 (2*422/485 optional) /12-36V
PPC-P8-080/I7-10610U	I7-10610U/2*LAN/4*USB/6*RS232 (2*422/485 optional) /12-36V

Dimensions(mm)



Hole size:**Contact:**

Allen Dai / Sales Manager

Armortec Technology Limited

Email: allen.y.dai@armortec.net

Skype: allen.dai89

Tel: +86 150 1266 9595