



PPC-P5-104

Industrial Panel PC

Feature:

SUPPORT WINDOWS/LINUX OPERATING SYSTEMS

On-board J1900/J4105/J4125/J6412/3/4/6/7/8/10/11th generation Core i3/i5/i7

Support 4G/5G Internet access function to meet communication requirements (separate module required)

Support Wifi, Bluetooth, GPS communication module (need to add a separate module)

DC12V power input

Specification:

PPC-P5-104

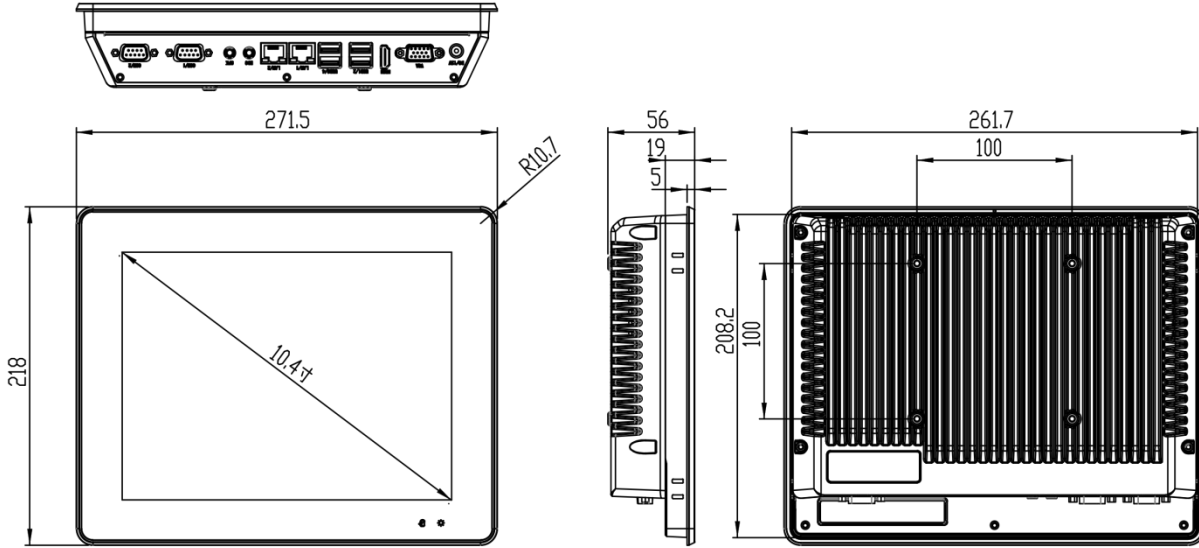
| | | QY-P5104 | |
|-----------------------|--|---|------------------|
| CPU | Intel | J1900/J4105/J4125/J6412/3/4/6/7/8/10/11 | |
| RAM | TYPE | DDR3/DDR4 | |
| OS | WINDOWS/LINUX | WINDOWS/LINUX | |
| STORAGE | MSATA | 1*MSATA/1*SATA | |
| DISPLAY | HDMI | SUPPORT 1920*1080 | |
| | VGA | SUPPORT 1920*1200 | |
| | USB | 4*USB | |
| I/O | DISPLAY | 1*HDMI/1*VGA | |
| | LAN | 1*RJ45 | |
| | CONSOLE PORT | 2*RS232 | |
| | Audio | 1*Hp-out /1*Mic-in | |
| LCD | Display screen | 10.4" TFT LED | |
| | Resolution | 1024*768 | |
| | Brightness | 350cd/m2 | |
| | Contrast | 800:1 | |
| | Maximum color | 16M | |
| Touch | Type | Capacitive | Resistive |
| | Light transmittance | Above 95% | Above 85% |
| | Click Life | 50 million times | 35 million times |
| | Response time | <5ms | |
| Screen | High temperature test | 85°C/1000hrs | |
| | Constant temperature and humidity test | 85°C/90%RH/1000hrs | |
| Structural parameters | Panel cabinet | The casing is molded by aluminum alloy mold | |
| | Power input | 12V DC power supply | |
| | Overall dimensions | 272mm*218mm*56mm | |
| | Installation method | The panel is flush-embedded and VESA | |

| | | |
|-------------|------------------------|--------------------------------|
| | Power | 20W |
| | Weight | 3kg |
| | Operating temperature | -20 ~ 60°C (Electronic disk) |
| Environment | Storage temperature | -30 ~ 80°C |
| parameters | Correlated humidity | 10 ~ 95%@40°C (Non-condensing) |
| | Front panel protection | IP65 standard |

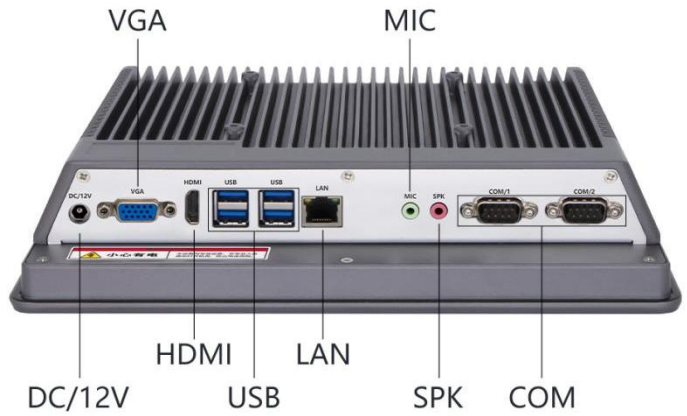
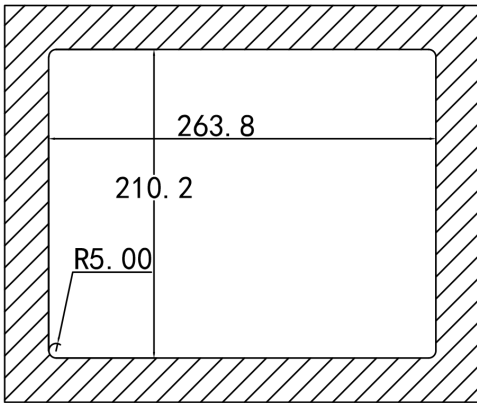
Ordering Information

| MODEL | SPECIFICATION |
|------------------------|-------------------------|
| PPC-P5-104/J1900 | 1*LAN/4*USB/2*RS232/12V |
| PPC-P5-104/J4105 | 1*LAN/4*USB/2*RS232/12V |
| PPC-P5-104/J6412 | 1*LAN/4*USB/2*RS232/12V |
| PPC-P5-104/3th Gen I3 | 1*LAN/4*USB/2*RS232/12V |
| PPC-P5-104/4th Gen i3 | 1*LAN/4*USB/2*RS232/12V |
| PPC-P5-104/4th Gen I5 | 1*LAN/4*USB/2*RS232/12V |
| PPC-P5-104/4th Gen I7 | 1*LAN/4*USB/2*RS232/12V |
| PPC-P5-104/6th Gen I3 | 1*LAN/4*USB/2*RS232/12V |
| PPC-P5-104/6th Gen I5 | 1*LAN/4*USB/2*RS232/12V |
| PPC-P5-104/7th Gen I5 | 1*LAN/4*USB/2*RS232/12V |
| PPC-P5-104/7th Gen I7 | 1*LAN/4*USB/2*RS232/12V |
| PPC-P5-104/8th Gen i5 | 1*LAN/4*USB/2*RS232/12V |
| PPC-P5-104/10th Gen I3 | 1*LAN/4*USB/2*RS232/12V |
| PPC-P5-104/10th Gen I5 | 1*LAN/4*USB/2*RS232/12V |
| PPC-P5-104/10th Gen I7 | 1*LAN/4*USB/2*RS232/12V |
| PPC-P5-104/11th Gen I5 | 1*LAN/4*USB/2*RS232/12V |

Dimensions(mm)



Hole size:



ARMORTEC

www.armortec.net

Professional industrial PC and network appliance designer and manufacturer.

Contact:

Allen Dai / Sales Manager

Armortec Technology Limited

Email: allen.y.dai@armortec.net

Skype: allen.dai89

Tel: +86 150 1266 9595