

NC-GM4M

Desktop Network Appliance with Intel Celeron J4125 Processor, 4 LAN, Mini PCIe and m-SATA slot, BYPASS



Feature:

Integrated Intel® Celeron J4125 2.0GHz quad-core four-thread processor, TDP 10W

4 x RJ45 Port , 1 x RJ45 Console Port

1 x SODIMM slot, support single channel 2400MHz DDR4 memory, maximum support 8GB

1 x Mini-PCIe Socket (PCIe/USB2.0 Signal)

Mini Desktop Form Factor

2 x USB 3.0 Port, 1 x VGA Port

Overview:

The NC-GM4M, powered by the Celeron J4125 processor, is a desktop form factor network appliance designed for entry-level network security, gateway or vCPE.

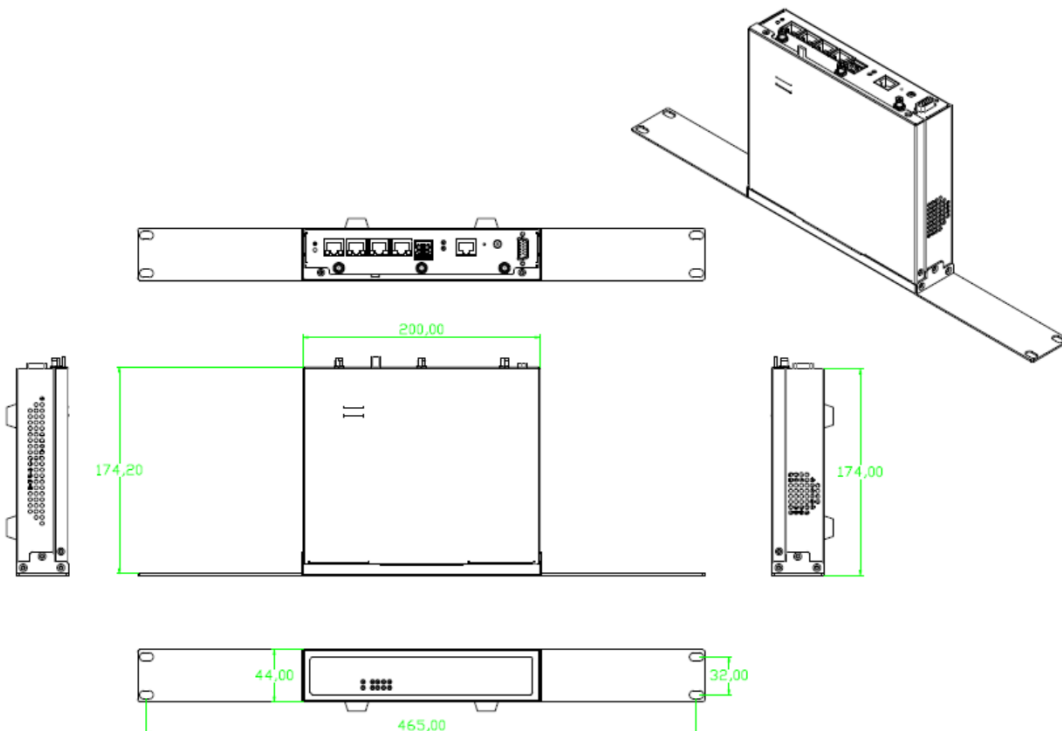
Specification:

NC-GM4M

| | | |
|---------------|-------------------|---|
| Model No. | | NC-GM4M |
| Form Factor | | Desktop |
| Platform | Processor Options | Intel Celeron J4125 |
| | CPU Socket | Onboard |
| | Chipset | SoC |
| OS Support | | Linux, Ubuntu, CentOS, pfSense, Windows 7 or above |
| BIOS | | AMI BIOS |
| System Memory | Technology | DDR4 2400MHz |
| | Max. Capacity | 8GB |
| | Socket | 1 x 204pin SODIMM |
| Networking | Ethernet Ports | Intel Ethernet Controller I225, 2.5 Gigabit or Intel i211-AT GbE Ethernet x 4 |
| | Bypass | Optional |
| Storage | HDD/SSD Support | 1 x 2.5 inch HDD bays |
| | CF/SD | - |
| | mSATA | 1x m-SATA |
| I/O Interface | Reset Button | - |
| | LED | Power LED x 1, HDD Active x 1, LAN LED x 8(Optional Status LED x |

| | | |
|--------------------------|------------------------------|--------------------------------|
| | | 1) |
| | Power Button | 1 x Power Button |
| | Console | 1 x RJ45 |
| | USB | 2 x USB 3.0 |
| | LCD Module | - |
| | Display | 1 x VGA |
| | Power Input | 40W, 12V DC-in power connector |
| Expansion | PCIe | - |
| | Mini-PCIe | Yes |
| Miscellaneous | Watchdog | Yes |
| | Internal RTC with Li Battery | Yes |
| | TPM | - |
| Cooling | Processor | CPU Heat Sink |
| | System | 1 x cooling fans |
| Environmental Parameters | Temperature | 0°C ~ 45°C / -20°C ~ 70°C |
| | Humidity | 5 ~ 90% non condensing |
| System Dimensions | (WxHxD) | 200x44x174mm |
| | Weight | 1.2 kg |
| Package Dimensions | (WxHxD) | 220x50x3194mm |
| | Weight | 2.4 kg |
| Power | Type/Watts | 40W Power Adapter |
| | Input | 90~264V@47~63Hz |
| Approvals and Compliance | | CE, FCC, RoHS |

System Dimension:





www.armortec.net

Professional industrial PC and network appliance designer and manufacturer.

Ordering Information

| Part number | PCH | DDR4 | 1Gb LAN port | Bypass | Console | USB 3.0 | 2.5" HDD | Mini PCIe Expansion | Power |
|-------------|---------|------|------------------------|--------|---------|---------|----------|---------------------|-------------|
| NC-GM4M | Onboard | 1 | 4 x Intel I225 or I211 | - | 1 | 2 | 1 | 1 | 40W Adapter |

Packing List

| | |
|---|-------------------|
| 1 | 1 x Power Adapter |
| 2 | 1 x Screw bag |
| 3 | 1 x Power cord |

Optional Accessories

| | |
|---|-----------------------------|
| 1 | Power cord 3P 180cm, USA |
| 2 | Power cord 3P 180cm, Europe |
| 3 | Power cord 3P 180cm, UK |
| 4 | Power cord 3P 180cm, Japan |
| 5 | Power cord 3P 180cm, India |

Contact:

Allen Dai / Sales Manager

Armortec Technology Limited

Email: allen.y.dai@armortec.net

Skype: allen.dai89

Tel: +86 150 1266 9595