

NC-TG6M

Desktop Network Appliance with Intel Tiger Lake Celeron 6305, Core i5 1135G7, Core i7 1165G7 CPUs, 6 x 2.5G LAN, Mini PCIe, M.2, MSATA, SATA, Dual USB 3.0



Feature:

- Support Intel Celeron 6305, Core i5 1135G7, Core i7 1165G7 CPUs
- Support 6 x 2.5G Intel i225 network port
- Support 2 x USB 3.0
- Support 1 x MSATA, 1 x SATA, 1 x M.2
- Support 1 x Mini PCIe
- Mini desktop model

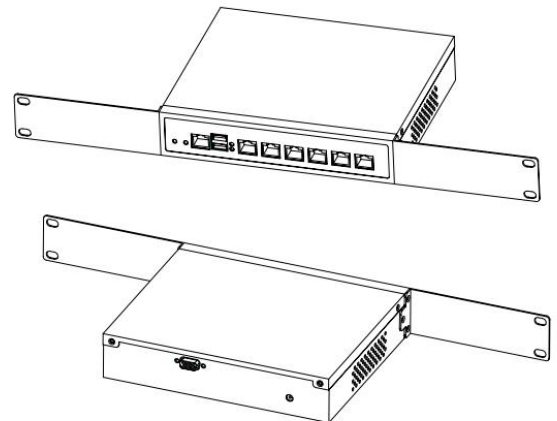
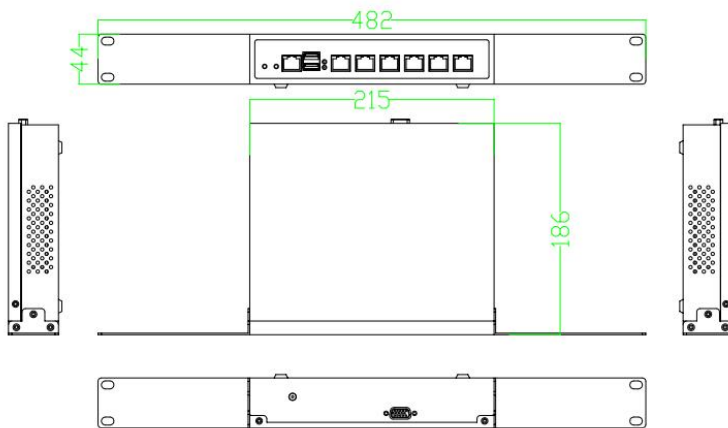
Specification:

NC-TG6M

Model No.		NC-TG6M
Form Factor		Desktop
Platform	Processor Options	Intel Celeron 6305, Core i5 1135G7, Core i7 1165G7 CPUs
	CPU Socket	Onboard
	Chipset	SoC
BIOS		AMI BIOS
System Memory	Technology	DDR4
	Max. Capacity	64GB
	Socket	2 x SODIMM
Networking	Ethernet Ports	6 x 2.5G Intel i225 network port, support LAN/PXE function
Storage	M-SATA	1 x M-SATA
	SATA	1 x SATA
	M.2	1 x M.2 2280/22110 PCIe signal
I/O Interface	Power Input	1 x DC 12V input
	Power Button	1 x Power Button
	Console	1 x RJ45 Console
	USB	2 x USB 3.0
	Reset Button	1 x Reset Button
Expansion	Mini PCIe	1 x Mini PCIe
Miscellaneous	Watchdog	0-255S, system reset
	Internal RTC with Li Battery	Yes

	TPM	-
Cooling	Processor	1 x CPU fan
Environmental Parameters	Temperature	-20°C~60°C(Operating)/ -20°C~70°C(Storage)
	Humidity	5 ~ 90% Non condensing
System Dimensions	(WxHxD)	215x185x45mm
	Weight	1.5 kg
Package Dimensions	(WxHxD)	265x235x80mm
	Weight	2.3 kg
Power	Type/Watts	60W Desktop adapter
	Input	90~264V@47~63Hz
Approvals and Compliance		CE, FCC, RoHS

System Dimension:



Packing List

1	1 x Desktop adapter
2	1 x Screw bag
3	1 x Power cord

Optional Accessories

1	Power cord 3P 180cm, USA
2	Power cord 3P 180cm, Europe
3	Power cord 3P 180cm, UK
4	Power cord 3P 180cm, Japan
5	Power cord 3P 180cm, India
6	2 x Rackmount ear(Optional)

7	1 x SATA power cable
---	----------------------

Contact:

Allen Dai / Sales Manager

Armortec Technology Limited

Email: allen.y.dai@armortec.net

Skype: allen.dai89

Tel: +86 150 1266 9595