

FW-C362

1U Rackmount Network Appliance with Intel Denverton Atom C3558 Quad Core 2.2GHz/Intel Atom C3338 Dual Core 2.2GHz, 6 LAN 2 SFP, Mini PCIe, M.2 and m-SATA slot



Feature:

Intel® Denverton Atom C3558 2.2GHz Quad Core/Atom C3338 2.2GHz Dual Core processor

Supports 6 x GbE LAN and 2 x GbE SFP

Supports Max. 32GB DDR4 RAM, 2 x SODIMM

1 x MSATA and 2 x 2.5" HDD bay

1 x Console management port, 1 x TPM header

1 x Mini PCIe for Wi-Fi/3G/4G module, 1 x M.2 for 4G/5G module

2 x Integrated SIM slots

2 x USB 3.0

Front LAN LED, Power LED and HDD LED.

1U Rackmount Form Factor

Overview:

The FW-C362, powered by the Intel Denverton Atom C3558 Quad Core/Intel Atom C3338 Dual Core Processor, is a 1U Rackmount form factor network appliance designed for entry-level network security, gateway, vCPE or SD-WAN.

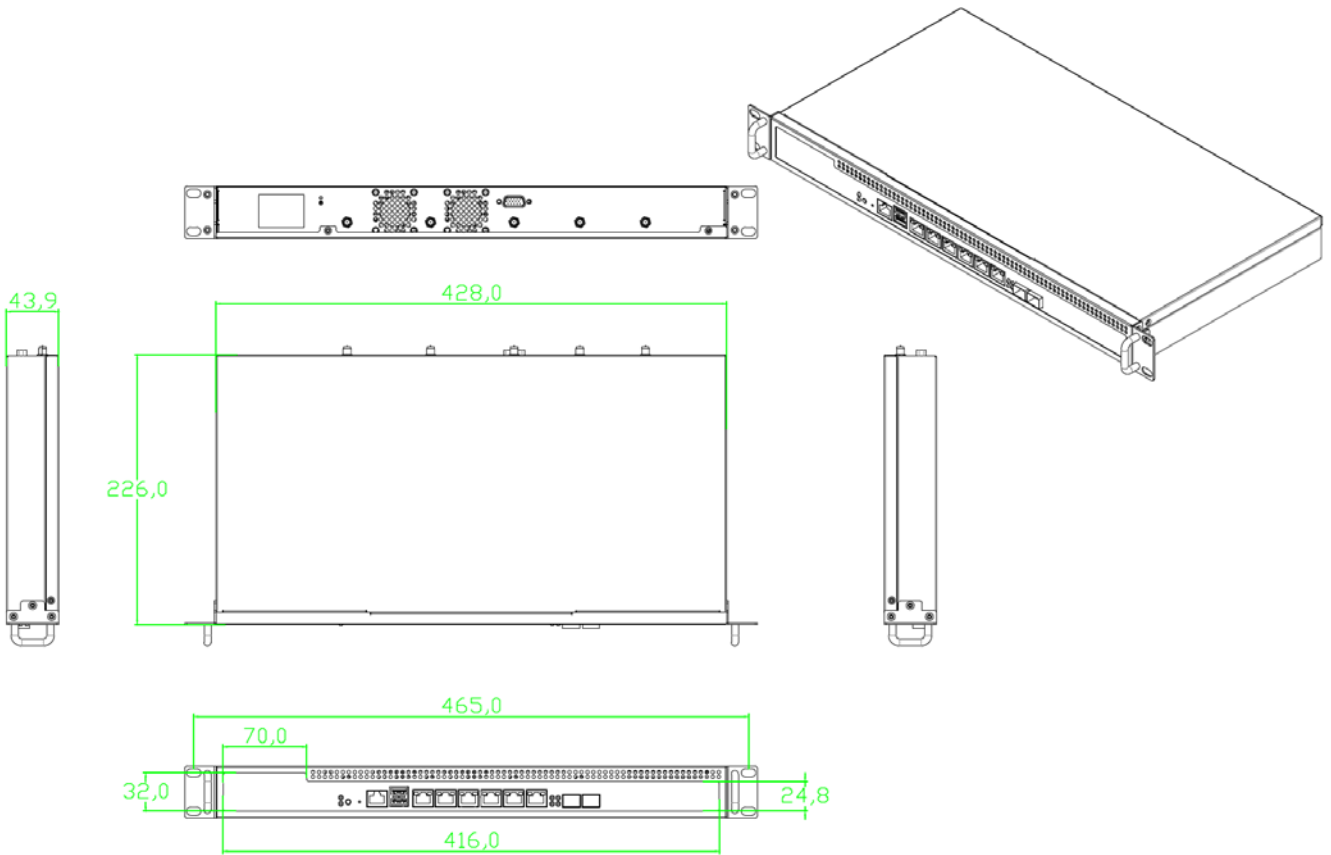
Specification:

FW-C362

Model No.		FW-C362
Form Factor		1U Rackmount
Platform	Processor Options	Intel Denverton Atom C3558 Quad Core 2.2GHz Or Atom C3338 Dual Core 1.5GHz(Base), 2.2GHz(Turbo)
	CPU Socket	FCBGA1310
	Chipset	SoC
OS Support		Linux, Ubuntu, CentOS, pfSense, Windows 7 or above
BIOS		AMI BIOS
System Memory	Technology	DDR4 2133MHz

	Max. Capacity	32GB
	Socket	2 x 260pin SODIMM
Networking	Ethernet Ports	6 x GbE RJ45 ports(LAN 1-4 integrated by CPU, LAN 5-6 via Intel i210-AT) 2 x GbE SFP port(via Intel i210-IS)
	Bypass	N/A
Storage	HDD/SSD Support	2 x 2.5" HDD bays
	CF/eMMC	Embedded 16GB eMMC flash
	mSATA	1 x m-SATA
I/O Interface	Reset Button	1 x Reset Button
	LED	Power LED x 1 HDD Active x 1
	Power Button	1 x Power Button
	Console	1 x RJ45 console
	USB	2 x USB 3.0
	Display	N/A, The rear VGA port is useful only with a discrete graphic card
	Power Input	60W Open Frame Power Supply
Expansion	PCIe	-
	Mini-PCIe	1 x Mini PCIe(Supports 3G/4G and Wi-Fi module)
	M.2	1 x M.2(Supports 4G/5G module)
Miscellaneous	Watchdog	Yes
	Internal RTC with Li Battery	Yes
	TPM	1 x TPM header
Cooling	Processor	1 x CPU fan
	System	2 x cooling fan
Environmental Parameters	Temperature	-10°C~60°C (Working) / -20°C~70°C (Storage)
	Humidity	5 ~ 90% non condensing
System Dimensions	(WxHxD)	428x226x43.9mm
	Weight	2.6kg
Package Dimensions	(WxHxD)	340x520x135mm
	Weight	3.6kg
Power	Type/Watts	60W Open Frame PSU
	Input	90~264V@47~63Hz
Approvals and Compliance		CE, FCC, RoHS

System Dimension:



Ordering Information

Part number	SoC	DDR4	1Gb LAN port	GbE SFP	Console	USB 3.0	2.5" HDD	Mini PCIe	M.2	Power
FW-C362	Intel Atom C3558	2	6	2	1	2	2	1	1	AC 60W single
FW-C362	Intel Atom C3338	2	6	2	1	2	2	1	1	AC 60W single

Packing List

1	2 x Rackmount ear
2	1 x Screw bag
3	1 x Power cord
4	1 x SATA power cable

Optional Accessories

1	Power cord 3P 180cm, USA
2	Power cord 3P 180cm, Europe
3	Power cord 3P 180cm, UK
4	Power cord 3P 180cm, Japan
5	Power cord 3P 180cm, India



www.armortec.net

Contact:

Allen Dai / Sales Manager

Armortec Technology Limited

Email: allen.y.dai@armortec.net

Skype: allen.dai89

Tel: +86 150 1266 9595

Professional industrial PC and network appliance designer and manufacturer.