

# EPC-C5760

**Fanless Mini Desktop Industrial Copmuter with Integrated Intel® Skylake-U Core i5 6360U  
Dual Core Four Thread Processor, 2 LAN, Mini PCIe and m-SATA slot**



## Feature:

Integrated Intel® Skylake-U I5 6360U dual-core four-thread processor

2 x DDR4 SODIMM memory slot, support 2133MHz memory, maximum support 32GB

Support independent three displays, 2 x HDMI and single VGA display output

Support 2 x WGI211AT Gigabit network card, support network wake up, PXE function

Support 6 x COM serial interface, 2 x RS232 DB9 serial interface, 4 x RS232 / 485 serial interface, with isolation

Support 7 x USB interface, support 1 x SIM slot

The power supply supports wide voltage 9 ~ 36V input

Fanless heat dissipation structure, all aluminum alloy material

## Specification:

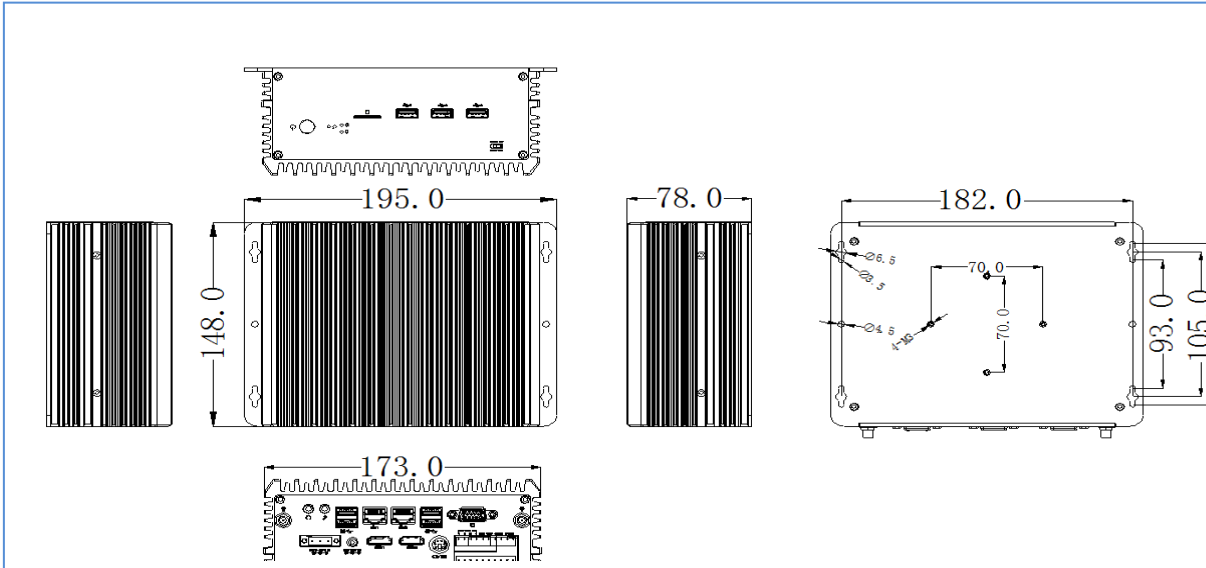
## EPC-C5760

model	IPC- C5760	
Chassis	Structure	All aluminum alloy fanless
	colour	Bright black
	Dimension(LxWxH)	173mmx148mmx78mm
	Weight (bare metal net weight)	1.6KG
	Intallation	Desktop / embedded
Motherboard	CPU	Integrated Intel® Skylake-U I5 6360U / 2.0GHz dual-core four-thread processor TDP 15W
	Chipset	Based on Intel® Skylake-U SOC platform
	Display	Integrated Intel® Iris™ Graphics 540 supports DirectX 12 OpenGL 4.4, supports 4K
	Ram	2 x DDR4 SODIMM memory slot, support 2133MHz memory, maximum support 32GB
Front panel interface	POWER	1 x Power switch
	AC LOSS	1xAC LOSS (Power on toggle switch)
	USB	3x USB2.0
	SIM	1x SIM slot
Rear panel interface	COM	2x RS232 DB9 Serial interface
	USB	4x USB3.0
	PS2	1xPS2 interface
	Phoenix terminal	2 x 10pin Phoenix terminal, support 4 RS232 / 485 serial ports, with isolation, four input and four output GPIO, switch, 5V
	LAN	2 x Intel® WGI211AT Gigabit network card, support Wake on LAN, PXE function
	Display interface	1 x VGA interface, 2 x HDMI interface
	Audio	1 x Line out interface, 1 x MIC interface
	power supply	1 x DC power adapter interface, 1 x 3pin power interface, support 9 ~ 30V power input and output
HDD	SATA	1x2.5 inch HDD expansion
	SSD	1x MSATA SSD expansion,SSD tranfer speed max to 6Gbps
Extend	Mini PCIE	1 x Mini PCIE slot, support WIFI / 4G module
	M.2	1 x M.2 slot, support M.2 2260/2280 SSD, support NVME SSD
OS	Microsoft Windows	Windows 10, 64bit
	Linux	Ubuntu
	Watch Dog	Support hardware reset function (256级, 0~255秒)
Power	Power supply	External power adapter or open power supply
	Input	9V ~ 30V wide voltage
	output	36W~180W
Reliability	Operating Temp.	-10°C ~ 60°C
	Storage Temp.	-20°C ~ 70°C
	Relative Humidity	5%-95% Relative humidity, no condensation
	Vibration	0.5g rms/5-500HZ/random/operating

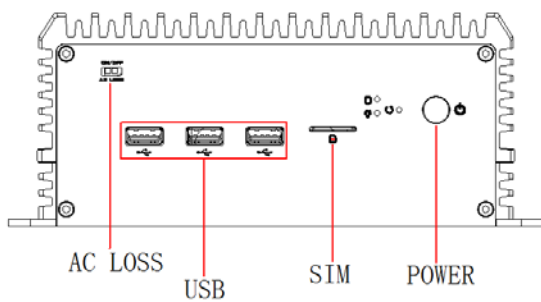
## Ordering Information

No.	Model	Processor	Memory	HDD	Phoenix Terminal	LAN	COM	HDMI	VGA	USB2.0	USB3.0	SIM	PS2	power-input
1	EPC-C5760A	3865U/1.8GHz	N/A	N/A	2x10PIN	2	6	2	1	3	4	1	1	9V~30V wide voltage
2	EPC-C5760B	6360U/2.0GHz	N/A	N/A	2x10PIN	2	6	2	1	3	4	1	1	9V~30V wide voltage
3	EPC-C5760C	6650U/2.2GHz	N/A	N/A	2x10PIN	2	6	2	1	3	4	1	1	9V~30V wide voltage

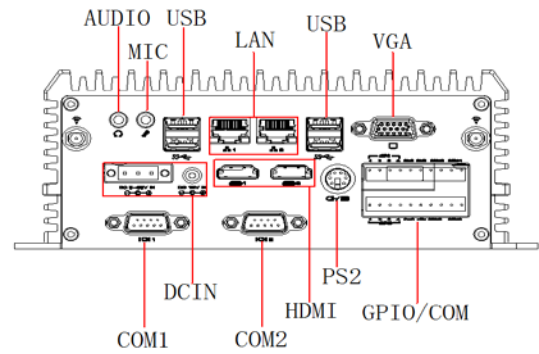
## System Dimension:



Front panel external I / O view



External I / O view of the rear panel



### Contact:

Allen Dai / Sales Manager

Armortec Technology Limited

Email: allen.y.dai@armortec.net

Skype: allen.dai89

Tel: +86 150 1266 9595