

ARMORTEC

www.armortec.net

Professional industrial PC and network appliance designer and manufacturer.

PPC-P215-HY

21.5 inch TFT Touch Screen Embedded Industrial Panel PC powered by Intel Celeron J1800/J1900/ Core i5 4200U/i5 7200U/i7 7500U, 6 x COM, 2 x LAN, 4 x USB



Product description:

PPC-P215-HY is a touch panel computer solution designed for human-machine interface applications. It uses Intel® J1800 processor/J1900 processor/Intel I5 4200U/I5 7200U/I7 7500U processor, onboard 4GB DDR3 memory (Upgrade to 12G memory), LCD display with 1920x1080 resolution and full-plane capacitive touch screen. The whole machine adopts 9~36V DC power supply, which can effectively control the internal heat of the computer; provides a more diversified data storage device, and supports MSATA/SSD and SATA2.5" notebook hard disks; integrates a wealth of I/O interfaces, 6 x RS232 or 4 x RS232/2-485, 2 x 10~1000M Ethernet ports and 4 x USB3.0 ports.

PPC-P215-HY supports a variety of installation methods such as wall bracket and swing arm, which is very convenient for installation and maintenance; the front panel meets the NEMA/IP65 waterproof and dustproof standard, which effectively controls the splashing of water droplets and water vapor into the host and affects the equipment Normal work; the equipment adopts a fanless design, limited control of dust entering the inside of the equipment, ensuring more stable operation of the equipment, and quickly dissipating the internal heat of the system through the external surface heat sink, so that it can adapt to the harsher site environment; the most suitable application It is used in the monitoring and control of upper computer such as factory automation, machinery manufacturing, numerical control equipment, textile equipment, intelligent power, food traceability, etc.

PPC-P215-HY is compatible with mainstream operating systems and embedded operating systems such as Windows7, Windows10, Linux, etc. It can run application software and programs based on the above operating systems independently developed by customers, and install industrial automation configuration software to form a powerful man-machine interface.

Feature:

21.5" true color LCD display, resolution 1920x1080, backlight service life up to 50,000 hours

The front panel reaches IP65 protection level to prevent dust and splashed water from entering the display

Ultra-thin design, save cabinet space, shock and vibration resistance

9~36V wide-voltage DC power input, meeting industrial site power supply

High-precision five-wire resistive touch screen, with many industrial field application characteristics

Support panel embedded and standard VESA installation at the same time, users can choose the installation method flexibly

Specification:

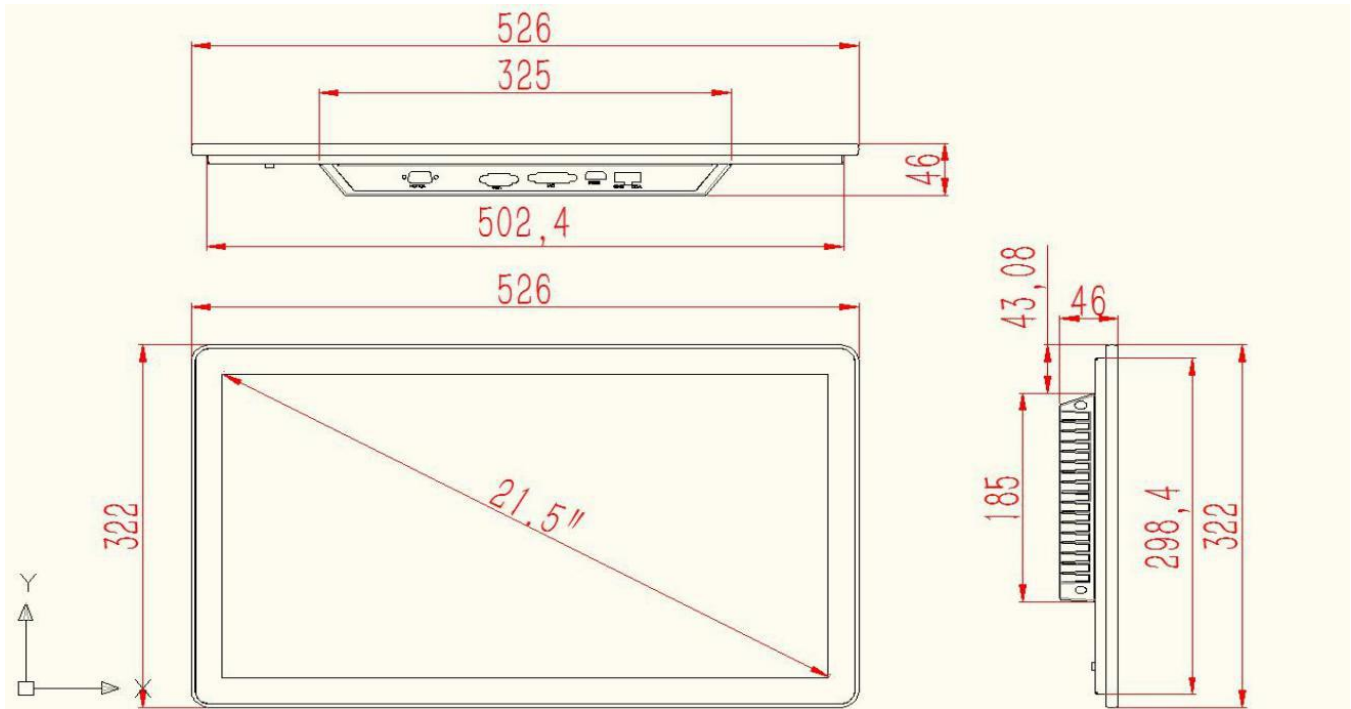
PPC-P215-HY

System parameters	CPU	J1800/J1900/I5-4200U/I5-7200U/I7-7500U
	RAM	Onboard 4GB DDR3 (expandable)
	Disk	MINIMSATA
I/O interface	Network port	2 x Intel Gigabit Ethernet
	Audio	RTLALC662 audio controller, LINE-out port
	USB	4 x USB3.0
	Serial port	6 x RS232(2 can be set to RS485/RS422)
	GPIO	14 channels (custom)
	Display	21.5" TFT LED

LCD screen	Resolution	1920x1080
	Brightness	350cd/m ²
	Contrast	800:1
	Maximum color	16M
Touch screen	Types of	Capacitive
	Click life	250 grams of strength, 35 million times
	Response time	<5ms
	Transmittance	above 90%
	High temperature test	85°C/1000hrs
	Constant temperature and humidity test	85°C/90%RH/1000hrs
Mechanism parameters	Panel cabinet	Aluminum alloy frame, mold back cover
	Installation method	Wall mount
	power input	9~36V DC power supply
	Overall dimensions	526mmx322mmx46mm
	Power	40W
	Weight	5KG
Environmental parameters	Operating temperature	-20~60°C (Electronic disk)
	Storage temperature	-30~80°C
	Front panel protection	IP65 standard

Ordering Information:

Product number	Configuration
PPC-P215-HY/J1800(economy)	J1800/4G/1 x RJ-45/4 x USB/2 x RS232/12V
PPC-P215-HY/J1900(economy)	J1900/4G/1 x RJ-45/4 x USB/2 x RS232/12V
PPC-P215-HY/J1900(Industrial)	J1900/4G/2 x RJ-45/4 x USB/4 x RS232+1 x RS485+1 x (RS232/422/485)/optional 9-36V
PPC-P215-HY/I5-4200U(Industrial)	I5-4200U/4G/2 x RJ-45/4 x USB/4 x RS232+1 x RS485+1 x (RS232/422/485)/optional 9-36V
PPC-P215-HY/I5-7200U(Industrial)	I5-7200U/4G/2 x RJ-45/4 x USB/4 x RS232+2 x (RS232/422/485)/optional 9-36V
PPC-P215-HY/I7-7500U(Industrial)	I7-7500U/4G/2 x RJ-45/4 x USB/4 x RS232+2 x (RS232/422/485)/optional 9-36V

Dimensions:**Contact:**

Allen Dai / Sales Manager

Armortec Technology Limited

Email: allen.y.dai@armortec.net

Skype: allen.dai89

Tel: +86 150 1266 9595