

PPC-P156-HY/M

15.6 inch TFT Touch Screen Embedded Industrial Panel PC powered by Allwinner A830T Cortex-A7 or Rockchip RK3288 Cortex-A17, 2 x COM, 1 x LAN, 2 x USB



Product description:

PPC-P156-HY/M product adopts Allwinner A830T Cortex-A7/Rockchip RK3288 Cortex-A17 architecture high scalability multi-core series application processor, onboard 2GB DDRIII high-speed memory, 8GB FLASH storage, and HDMI display output port , Supports independent dual display, the panel has 2 serial ports. Provides 2 x USB2.0 and 1 x OTG, 1 power amplifier, onboard WiFi, Fast Ethernet, and 3G/4G (optional), so that the product has a flexible network application environment and adopts an open Android intelligent operating system. More stable and easier to maintain.

Feature:

Support system: Allwinner A830T Cortex-A7 Standard Android 4.4.4 Optional Android 6.0

Support system: Rockchip RK3288 Cortex-A17 Standard Android 5.1 Optional Android 7.1

Onboard 8-core processor. Onboard 2G DDRIII, 8G/16G FLASH storage

Support 3G, 4G Internet function, meet communication requirements (need to choose a separate module)

Onboard Wifi, communication module

Support 2 x serial ports, RS-232 x 2 to meet the use of basic peripherals

A Mini-PCIE socket to provide interfaces for 3G and 4G modules

Wide voltage 12V input, anti-reverse connection, provide fast bottom software service support

Specification:

PPC-P156-HY/M

CPU	Allwinner A830T Cortex-A7 or Rockchip RK3288 Cortex-A17
RAM	2G DDRIII
Ethernet	1 x 10M/100M adaptive Ethernet
Operating system	Standard Android 4.4.4 Optional Android 6.0 or Standard Android 5.1 Optional Android 7.1

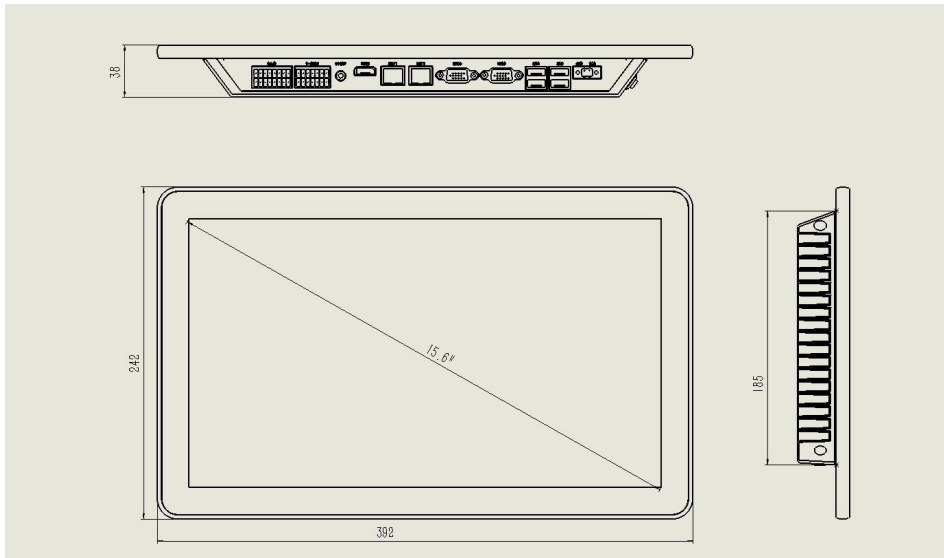
Storage	FLASH onboard standard 8G (maximum support 16G)
	SD card socket (maximum expansion 32G)
HDMI	HDMI support 1920x1080P
COM	2 x RS-232
USB2.0	2 x USB2.0
WIFI,BT	Built-in WIFI, BT4.0 (optional)
Resolution	1920x1080
Watchdog	Reset, programmable interval time
RTC	Support RTC
Operating temperature	-20°C ~ 70°C
Storage temperature	-30°C ~ 85°C
Overall size	392mmx242mmx38mm
Box size	325mmx185mmx28mm

Ordering Information:

Product number	Configuration
PPC-P156-HY/M-830	Allwinner A830T Cortex-A7 /2G/SSD 8G (System: standard Android 4.4.4 optional Android 6.0)
PPC-P156-HY/M-3288	Rockchip RK3288 Cortex-A17/2G/SSD 8G (standard with Android 5.1, optional with Android 7.1)

Dimensions:

Dimension Drawing



Contact:

Allen Dai / Sales Manager

Armortec Technology Limited

Email: allen.y.dai@armortec.net

Skype: allen.dai89

Tel: +86 150 1266 9595