

ARMORTEC

www.armortec.net

Professional industrial PC and network appliance designer and manufacturer.

PPC-P156-HY

15.6 inch TFT Touch Screen Embedded Industrial Panel PC powered by Intel Celeron J1800/J1900/ Core i5 4200U/i5 7200U/i7 7500U, 6 x COM, 2 x LAN, 4 x USB



Product description:

PPC-P156-HY is a touch panel computer solution designed for human-machine interface applications, using Intel® J1800 processor/J1900 processor/Intel I5 4200U/I5 7200U/I7 7500U processor, onboard 4GB DDR3 memory (Upgrade to 12G memory), LCD display with a resolution of 1920x1280 and full-plane capacitive touch screen. The whole machine adopts 9~36V DC power supply, which can effectively control the internal heat of the computer; provides a more diversified data storage device, and supports MSATA/SSD and SATA2.5" notebook hard disks; integrates a wealth of I/O interfaces, 6 x RS232 or 4 x RS232/2 x 485, 2 x 10~1000M Ethernet ports and 4 x USB3.0 ports.

PPC-P156-HY supports a variety of installation methods such as wall hanging and swing arm, which is very convenient for installation and maintenance; the front panel complies with the NEMA/IP65 waterproof and dustproof standard, which effectively controls the splashing of water droplets and water vapor from the site to enter the host and affect the normal equipment Work; the equipment adopts a fanless design, limited control of dust entering the equipment, ensuring a more stable operation of the equipment, and quickly dissipating the internal heat of the system through the external surface heat sink, so that it can adapt to the harsher site environment; the most suitable application Factory automation, machinery manufacturing, numerical control equipment, textile equipment, intelligent power, food traceability and other host computer monitoring and control.

PPC-P156-HY is compatible with mainstream operating systems and embedded operating systems such as Windows7, Windows10, Linux, etc. It can run application software and programs based on the above operating systems independently developed by customers, and install industrial automation configuration software to form a powerful man-machine interface.

Feature:

- 15.6" Real-color LCD screen with resolution of 1920x1080 and backlight life up to 50000 hours
- Front panel up to IP65 protection level to prevent dust and splattered water droplets from entering the display
- Ultra-thin design, saving cabinet space, shock and vibration resistance
- 9~36 V wide voltage DC input to meet industrial field supply
- Electric high precision capacitive screen, with many industrial field application characteristics
- At the same time support panel embedded and standard VESA installation, users can flexibly choose the installation mode

Specification:

PPC-P156-HY

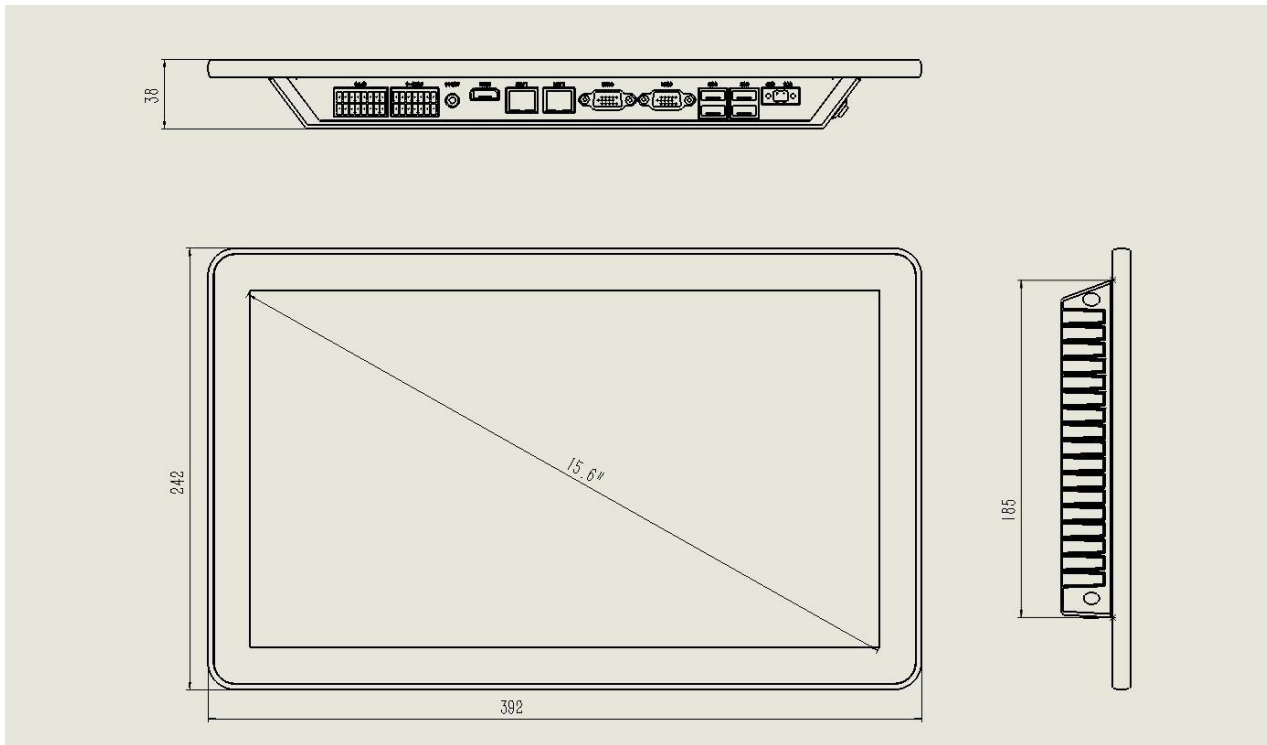
System parameters	CPU	J1800processor /J1900/I5-4200U/I5-7200U/I7-7500U processor
	RAM	4GB DDR3 on board (extensible)
	Disk	MINIMSATA
I/O interface	Network port	2 x Intel Gigabit Ethernet
	Audio	RTLALC662 audio controller, LINE-out port
	USB	4 x USB3.0
	Serial port	6 x RS232(2 can be set to RS485/RS422)
	GPIO	14 channels (custom)
	Display	15.6" TFT LED

LCD screen	Resolution	1920x1080
	Brightness	350cd/m ²
	Contrast	800:1
	Maximum color	16M
Touch screen	Types of	Capacitive
	Click life	250 grams of strength, 50 million times
	Response time	<5ms
	Transmittance	above 91%
	High temperature test	85°C/1000hrs
	Constant temperature and humidity test	85°C/90%RH/1000hrs
Mechanism parameters	Panel cabinet	Aluminum profile face frame
	Installation method	Wall mount
	Power input	9~36V DC power supply
	Overall dimensions	392mmx242mmx38mm
	Power	30W
	Weight	3KG
Environmental parameters	Operating temperature	-20~60°C (Electronic disk)
	Storage temperature	-30~80°C
	Front panel protection	IP65 standard

Ordering Information:

Product number	Configuration
PPC-P156-HY/J1800 (Economy)	J1800/4G/1 x RJ-45/4 x USB/2 x RS232/12V
PPC-P156-HY/J1900(Economy)	J1800/4G/1 x RJ-45/4 x USB/2 x RS232/12V
PPC-P156-HY/J1900 (industrial)	J1900/4G/2 x RJ-45/4 x USB/4 x RS232+1 x RS485+1 x (RS232/422/485)/ optional 9-36V
PPC-P156-HY/I5-4200U(industrial)	I5-4200U/4G/2 x RJ-45/4 x USB/4 x RS232+1 x RS485+1 x (RS232/422/485)/optional 9-36V
PPC-P156-HY/I5-7200U(industrial)	I5-7200U/4G/2 x RJ-45/4 x USB/4 x RS232+2 x (RS232/422/485)/optional 9-36V

Dimensions:



Contact:

Allen Dai / Sales Manager

Armortec Technology Limited

Email: allen.y.dai@armortec.net

Skype: allen.dai89

Tel: +86 150 1266 9595