

PPC-P080-K

**8 inch TFT Touch Screen Embedded Industrial Panel PC powered by Intel Celeron J1900/
Core i5 4200U, 6 x COM, 2 x LAN, 4 x USB**



J1900/I5-4200U

宽压: 9-36V

板载: 4G内存

GPIO:14路可选

5*232 (2*485/422可选)

Product description:

PPC-P080-K is a touch panel computer solution designed for human-machine interface applications. It uses Intel® J1900 processor/Intel I5 4200U/processor, onboard 4GB DDR3 memory (upgradable to 12G memory), resolution It is an 800x600 (1024x768) LCD screen and a full-plane resistive touch screen. The whole machine adopts 9~36V DC power supply, which effectively controls the internal heat of the computer; provides a more diversified data storage device, and supports MSATA/SSD and SATA2.5" notebook hard disks; integrates a wealth of I/O interfaces, 6 x RS232 Or 4 x RS232/2 x 485, 2 x 10~1000M Ethernet ports and 4 x USB3.0 ports.

PPC-P080-K supports panel embedded installation and wall-mounted installation. It only needs 4 mounting clips to be tightened. Installation and maintenance are very convenient; the front panel meets the NEMA/IP65 waterproof and dustproof standard, which can effectively control the splash caused by the scene. Water droplets and water vapor enter the host and affect the normal operation of the equipment; the equipment adopts a fanless design, limited control of dust entering the equipment, ensuring a more stable operation of the equipment, and quickly dissipating the internal heat of the system through the external surface heat sink to make it adaptable More harsh on-site environment; most suitable for application in factory automation, machinery manufacturing, numerical control equipment, textile equipment, intelligent power, food traceability and other host computer monitoring and control.

PPC-P080-K is compatible with mainstream operating systems and embedded operating systems such as Windows7, Windows10, Linux, etc. It can run application software and programs based on the above operating systems independently developed by customers, and install industrial automation configuration software to form a

powerful man-machine interface.

Feature:

Using the latest technology to stamp the chassis, the shell is firm and the appearance is beautiful

8.0" true color LCD display, resolution 800x600 (1024x768), backlight service life up to 50,000 hours

The touch screen adopts high temperature five-wire resistive type. The number of clicks can reach 35 million

9~36V wide voltage DC power input to meet industrial site power supply

Support built-in 4G/WIFI and Bluetooth devices (optional)

Large-area aluminum fin active heat dissipation design ensures that the tablet can work uninterrupted in harsh industrial scenes

Specification:

PPC-P080-K

System parameters	CPU	J1900/I5-4200U
	RAM	2GB DDR3/4GB DDR3 onboard
	Disk	MINIMSATA
I/O interface	Network port	2 x Intel Gigabit Ethernet
	Audio	RTLALC662 audio controller, LINE-out port
	USB	4 x USB3.0
	Serial port	6 x RS232(2 can be set to RS485/RS422)
LCD screen	Display	8" TFT LED
	Resolution	800x600 (1024x768 optional)
	Brightness	350cd/m ²
	Contrast	800:1
	Maximum color	16M
Touch screen	Types of	High temperature five-wire analog resistive
	Click life	250 grams of strength, 35 million times
	Response time	<5ms
	Transmittance	above 85%
	High temperature test	85°C/1000hrs
	Constant temperature and humidity test	85°C/90%RH/1000hrs
Mechanism parameters	Panel cabinet	The case adopts cast aluminum mold
	Installation method	Embedded in panel, VESA mountable with bracket
	Power input	9~36V DC power supply
	Overall dimensions	230x180x51mm
	Box size	213x167x47mm
	Hole Size	216x170mm
	Power	20W
	Weight	2KG
	Operating temperature	-20~60°C (Electronic disk)



www.armortec.net

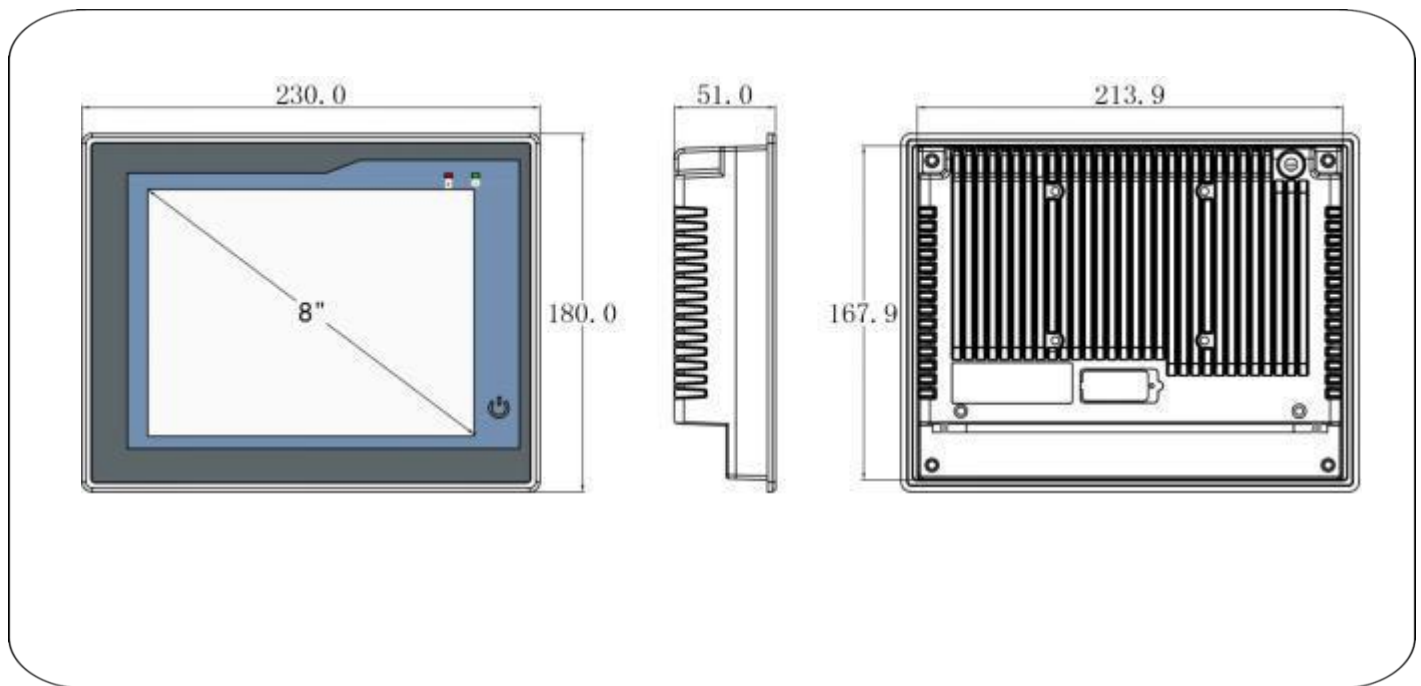
Professional industrial PC and network appliance designer and manufacturer.

Environmental parameters	Storage temperature	-30~80℃
	Front panel protection	IP65 standard

Ordering Information:

Product number	Configuration
PPC-P080-K/J1900	J1900/onboard 4G/2 x RJ-45/4 x USB/4 x RS232+1 x RS485+1 x (RS232/422/485)/optional 9-36V
PPC-P080-K/I5-4200U	I5-4200U/onboard 4G/2 x RJ-45/4 x USB/4 x RS232+1 x RS485+1 x (RS232/422/485)/optional 9-36V

Dimensions:



Contact:

Allen Dai / Sales Manager

Armortec Technology Limited

Email: allen.y.dai@armortec.net

Skype: allen.dai89

Tel: +86 150 1266 9595