

# NC-8210

**Compact Desktop Network Appliance with Intel Celeron 3865U 1.8 GHz Dual Core Processor  
8 LAN 2 SFP**



## Feature:

Intel® Celeron 3865U 1.8GHz Dual Core processor  
8x GbE RJ45, 2 x GbE SFP(Optional), 1x RJ45 Console Port  
Max. 8GB DDR3 1600MHz SO-DIMM  
1x Mini-PCIe Socket (PCIe/USB2.0 Signal)  
Mini Desktop Form Factor  
2x USB 2.0, 1x VGA

## Overview:

The NC-8210, powered by the Celeron 3865U processor, is a desktop form factor network appliance designed for entry-level network security, gateway or vCPE.

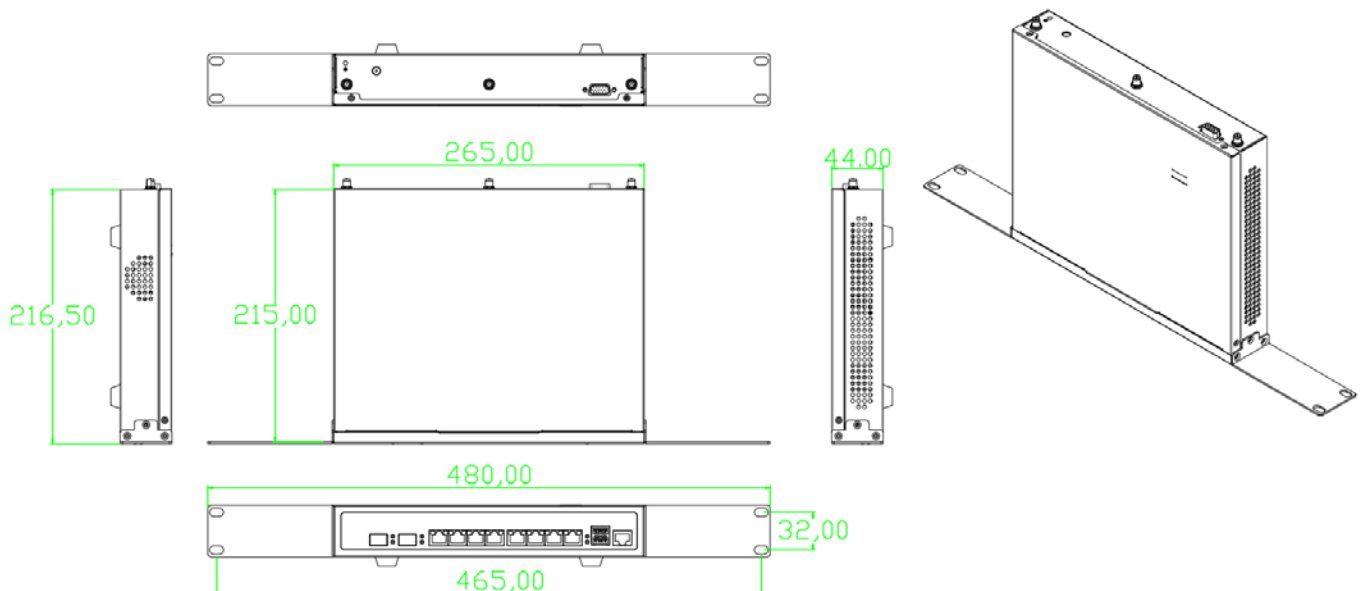
## Specification:

### NC-8210

Model No.	NC-8210	
Form Factor	Desktop	
Platform	Processor Options	Support Intel Celeron 3865U 1.8G Dual Core processor
	CPU Socket	BGA1365
	Chipset	SoC
	Security Acceleration	N/A
BIOS	AMI 64Mb Flash ROM	
System Memory	Technology	1066/1333/1600MHz DDR3
	Max. Capacity	8GB
	Socket	1* SODIMM DDR3 Slot
Networking	Ethernet Ports	8x Intel WG-i211 10/100/1000, 2 x Intel Ethernet Controller I350-AM2(Optional)
	Bypass	-
I/O Interface	Reset Button	-

	LED	Power/Storage
	Power Button	-
	Console	1x RJ45
	USB	2*USB2.0
	LCD Module	-
	Display	1x VGA
	Power Input	Desktop Adapter
Storage	HDD/SSD Support	1x2.5HDD/SSD
	Onboard Storage	1x m-SATA
Expansion	PCIe	-
	Mini-PCIe	Yes
Miscellaneous	Watchdog	Yes
	Internal RTC with Li Battery	Yes
	TPM	-
Cooling	Processor	CPU fan
	System	1x cooling fans
Environmental Parameters	Temperature	8°C~45°C/-20°C~70°C
	Humidity	0-95% (relative humidity; non-condensing)
System Dimensions	(WxHxD)	265x44x215mm
	Weight	2.1 kg
Package Dimensions	(WxHxD)	285x540x235mm
	Weight	3.3 kg
Power	Type/Watts	-
	Input	-
Approvals and Compliance		CE, FCC Class B

## System Dimension:





www.armortec.net

Professional industrial PC and network appliance designer and manufacturer.

## Ordering Information

Part number	PCH	DDR3	1Gb LAN port	SFP	Console	USB 2.0	2.5" HDD	Mini PCIe Expansion	Power
NC-8210A	SoC	1	8* Intel WG-i211	Intel i350 2 x GbE	1	2	1	1	AC 60W adapter
NC-8210B	SoC	1	8* Intel WG-i211	-	1	2	1	1	AC 60W adapter

## Packing List

1	2 x Rackmount ear
2	1 x SATA signal cable
3	1 x Screw bag
4	1 x Power cord
5	1 x SATA power cable

## Optional Accessories

1	Power cord 3P 180cm, USA
2	Power cord 3P 180cm, Europe
3	Power cord 3P 180cm, UK
4	Power cord 3P 180cm, Japan
5	Power cord 3P 180cm, India

### Contact:

Allen Dai / Sales Manager

Armortec Technology Limited

Email: allen.y.dai@armortec.net

Skype: allen.dai89

Tel: +86 150 1266 9595